

aquatica®

Function : Form : Fashion



Multiplex Trio

Shower Control

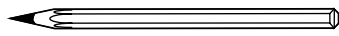
Installation & Care Manual

INTERNATIONAL

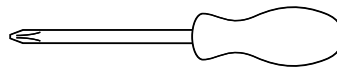
Multiplex Trio

Shower Control

TOOLS LIST



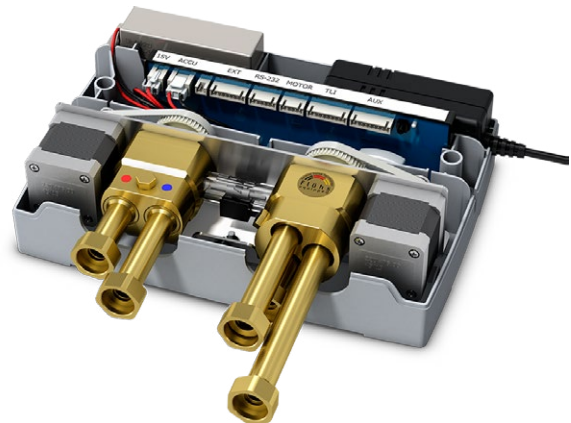
PENCIL



PHILIPS (CROSSHEAD)
SCREWDRIVER



UTILITY KNIFE



ATTENTION – Before Installation

1. Inspect this product to ensure you have all parts as shown that are required for proper installation.
2. This product must be installed by a professional contractor.
3. Refer to the specification and assembly drawings attached for installation directions.

Installation Requirements

Please read the instructions carefully so as to avoid any damage to the fixture.

1. To ensure this product is installed properly, you must read and follow these guidelines.
2. Be sure your installation conforms to local codes.
3. Refer to the specification and assembly drawings attached.
4. Use only a strap wrench or protected/smooth-jaw wrench on any finished surface.
5. Do NOT use putty during this installation.

Cleaners For Fittings And Accessories

To avoid damaging the surface and working components of the fittings, certain precautions must be taken in terms of usage and subsequent cleaning as many cleaning agents contain acids for general cleaning and removing calcium deposits. When caring for your fittings and accessories, please note the following:

- Only apply cleaners which are expressly intended for the use
- Never use any cleaner containing hydrochloric acid, formic acid or acetic acid on or near the fitting, as they can cause considerable damage
- Do not use cleaners containing phosphoric acid
- Do not use cleaners containing chlorine bleach solutions
- Never mix or combine cleaning agents
- Abrasive cleaners and unsuitable scouring agents such as scouring pads

Multiplex Trio

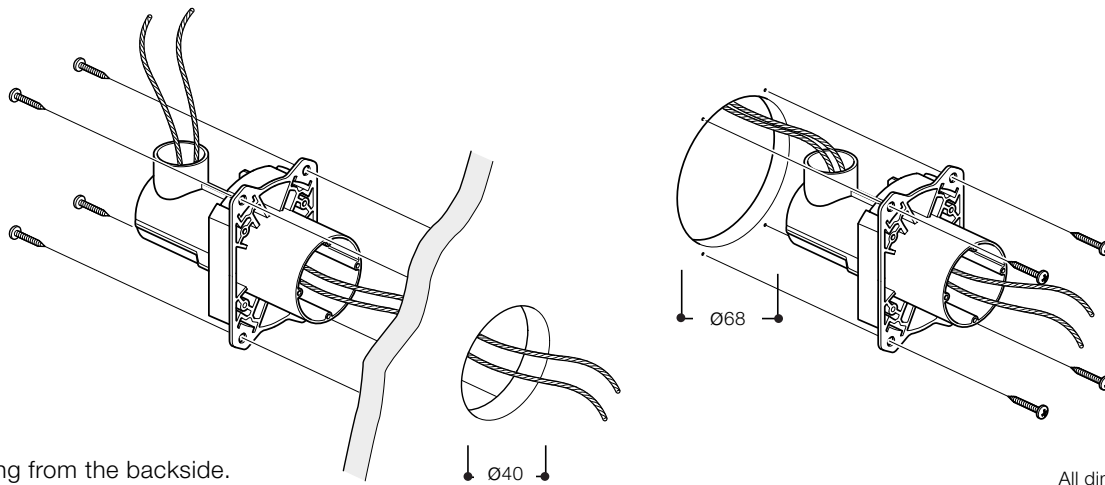
Shower Control

INSTALLATION SEQUENCE

aquatica®

Function : Form : Fashion

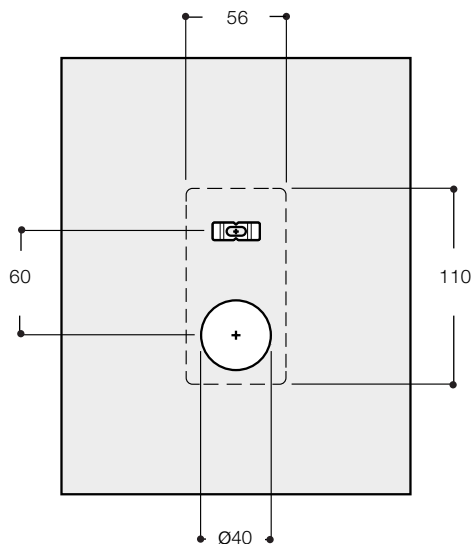
1 Attach in-wall box



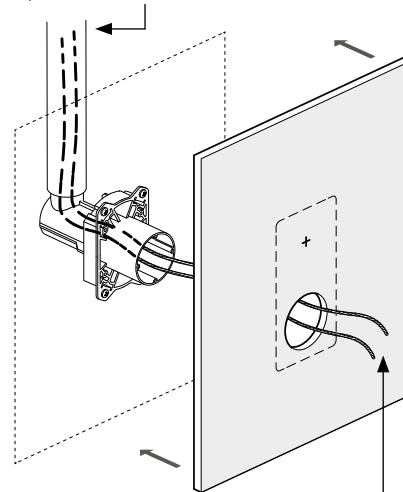
Fitting from the backside.

All dimensions: mm

2 Connect empty 1" conduit / finish the wall

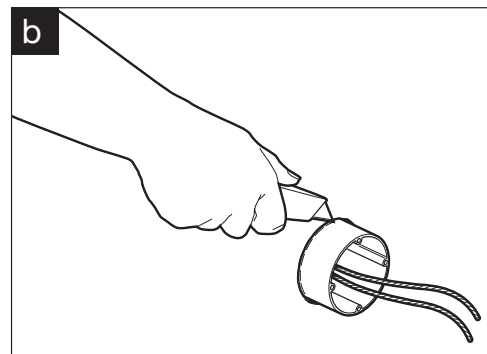
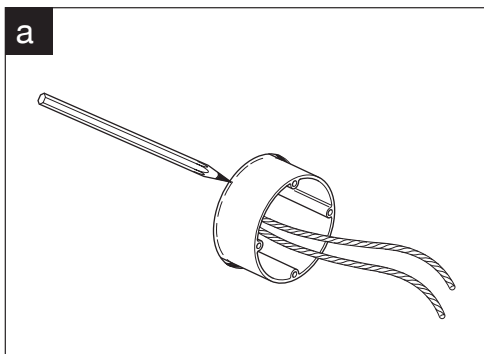


Empty 1" (inner diameter) conduit (not included) to protect cables & allow maintenance.



String or wire to help pull interface cable through to the Multiplex Trio Shower Control Mixer.

3 Cut down in-wall box



aquatica®

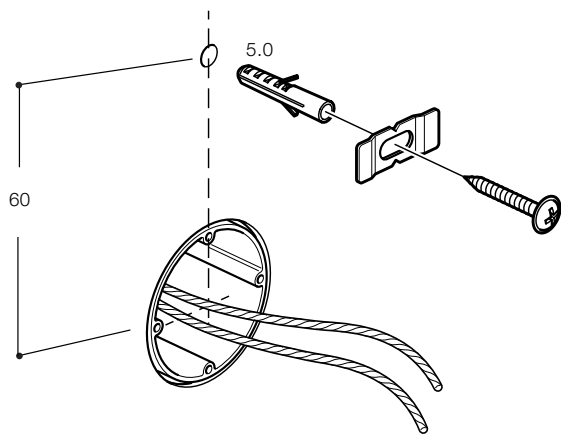
Function : Form : Fashion

Multiplex Trio

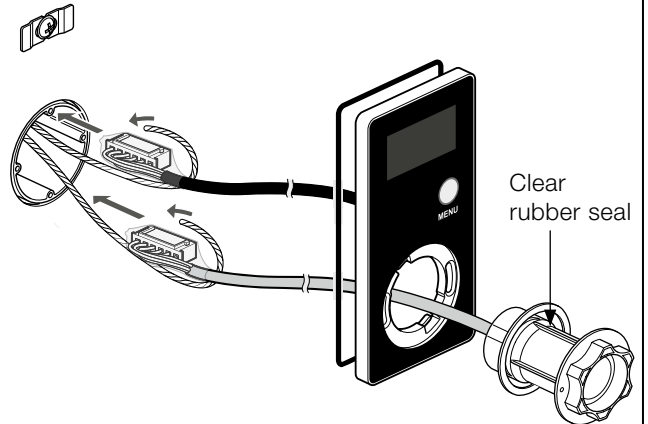
Shower Control

INSTALLATION SEQUENCE continued

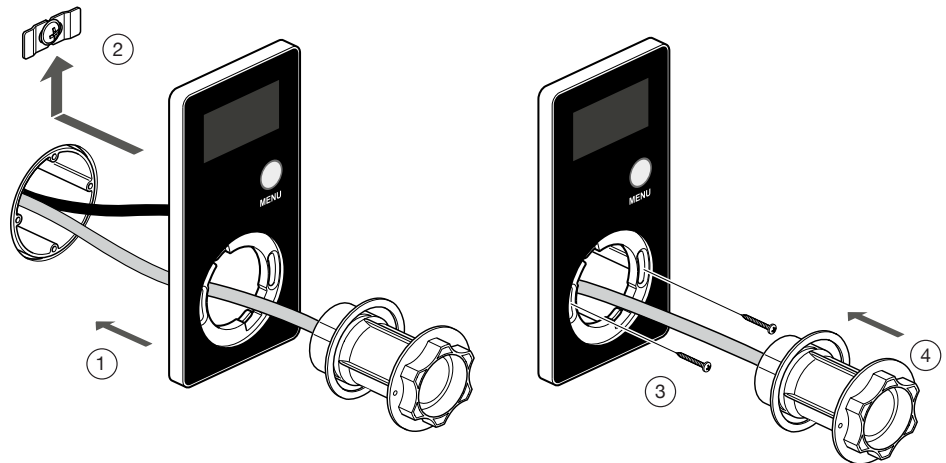
4 Attach fixing clip



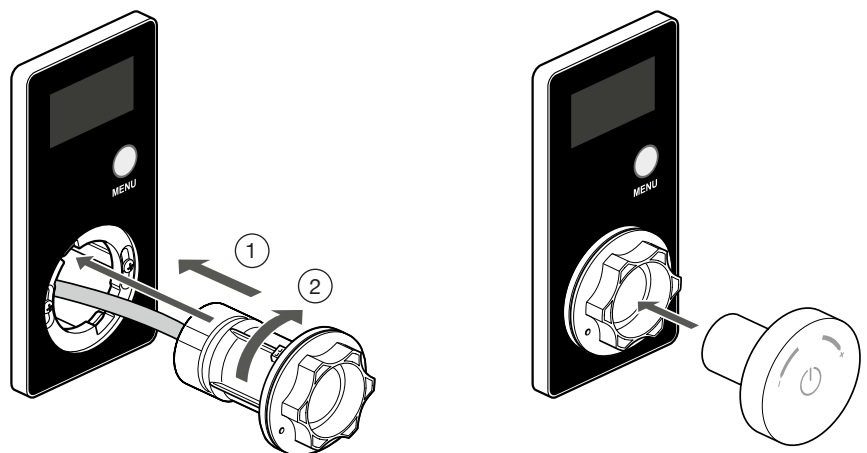
5 Feed both cables through to the controller



6 Position display and lock by screws



7 Position controller unit into the display and lock by turning clockwise, then push the control wheel into place



8 Preset temperature & flow selection



Multiplex Trio

Shower Control

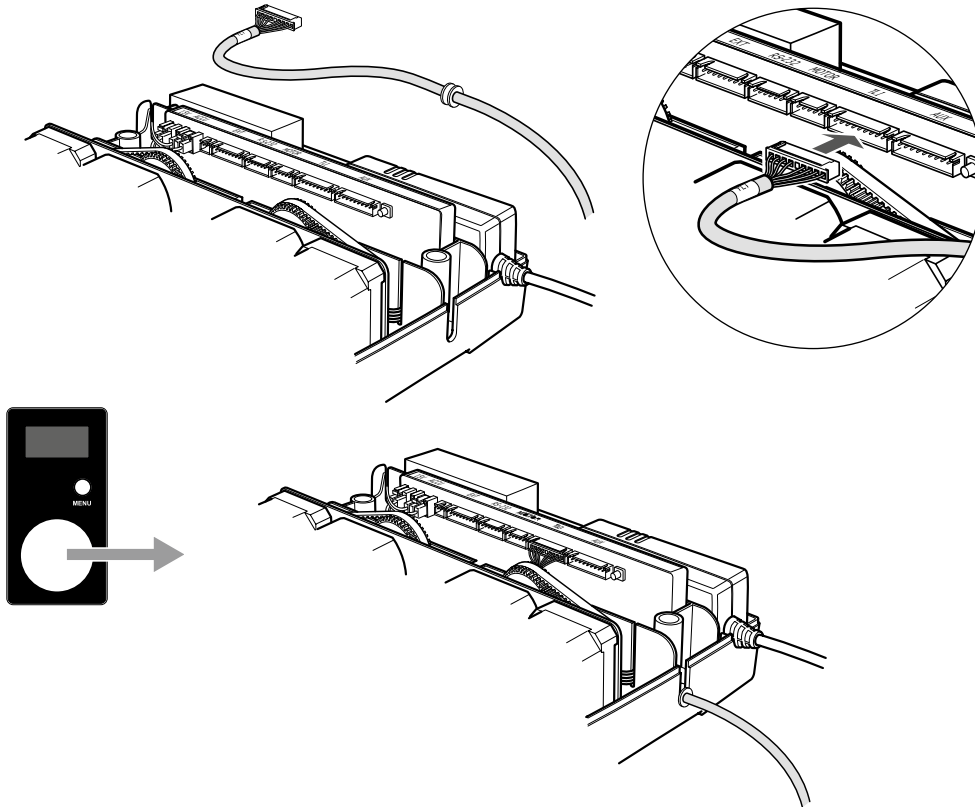
INSTALLATION SEQUENCE continued

aquatica®

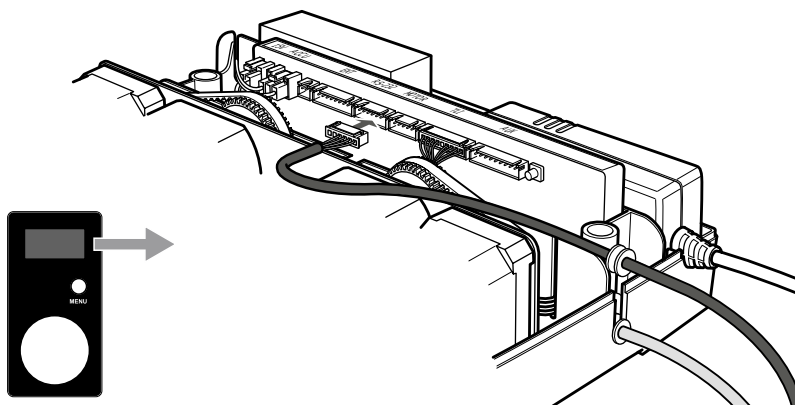
Function : Form : Fashion

- 9 Install Multiplex Trio Shower Control Mixer according to the Multiplex Trio three outlet thermostatic shower control mixer (see below)

A. Connect the controller unit cable to the TLI port in the TEE030SV



B. Connect the display cable to the RS_232 port in the TEE030SV



aquatica®

Function : Form : Fashion

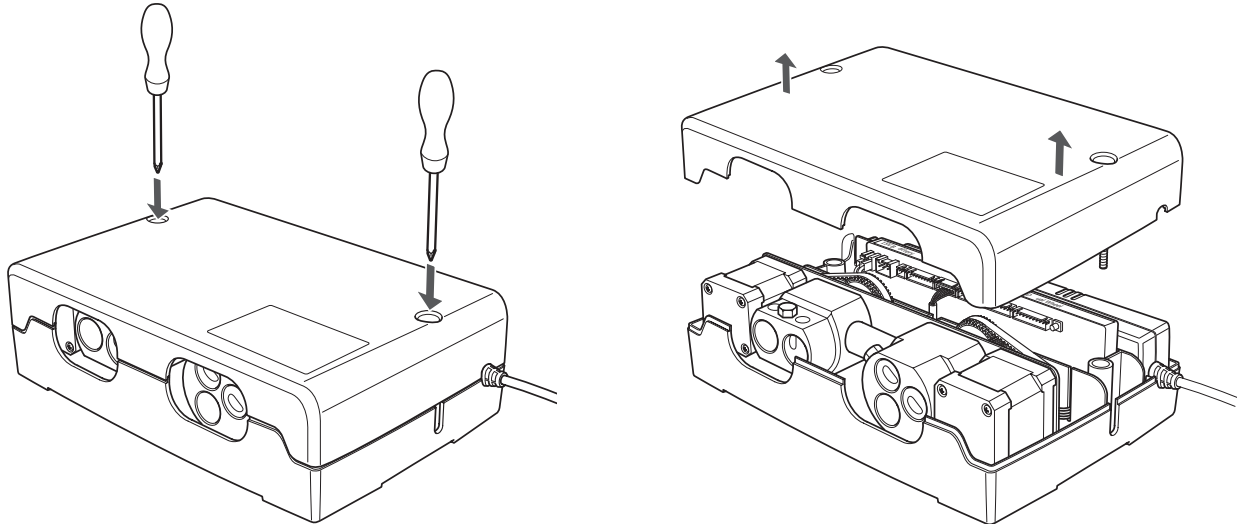
Multiplex Trio

Shower Control

Multiplex Trio Three Outlet

Thermostatic Control Mixer INSTALLATION SEQUENCE

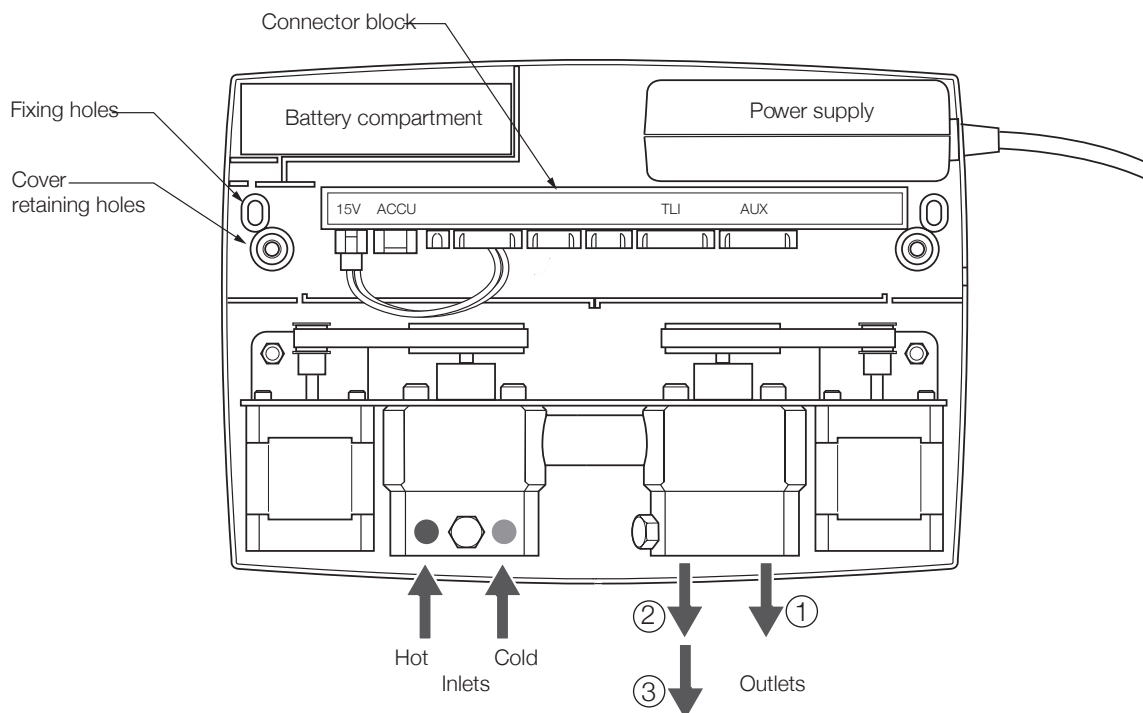
1 Connecting the control mixer for shower installation



Remove the control mixer cover.

Important: The control mixer must be installed in a dry area that is accessible for future maintenance

2 Connect empty 1" conduit / finish the wall



Outlet #1 is the default outlet for hand shower, when turned on, water will flow through this outlet first. **Outlet #2** for shower head. **Outlet #3** for body sprays.

Multiplex Trio

Shower Control

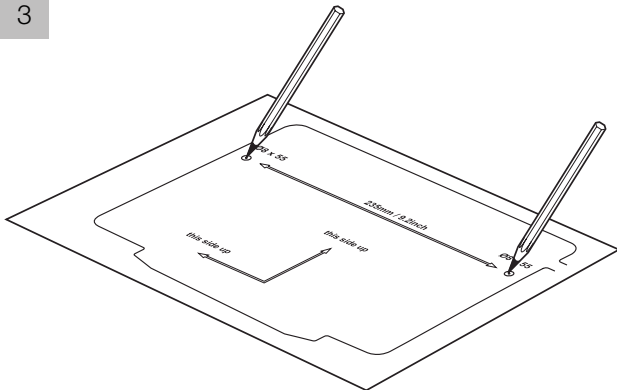
aquatica®

Function : Form : Fashion

Multiplex Trio Three Outlet

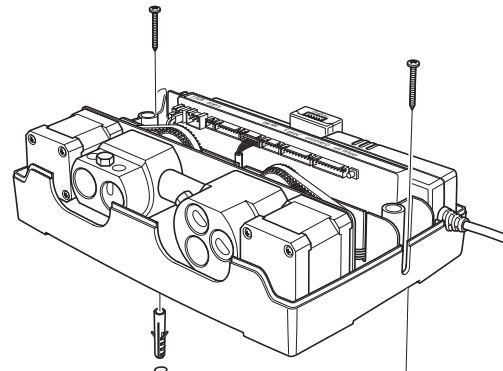
Thermostatic Control Mixer INSTALLATION SEQUENCE continued

3

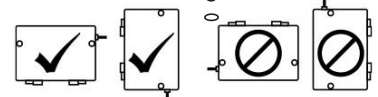


If required, use the supplied template (provided in the install guide) to mark the position of the control mixer fixing holes in the selected location.

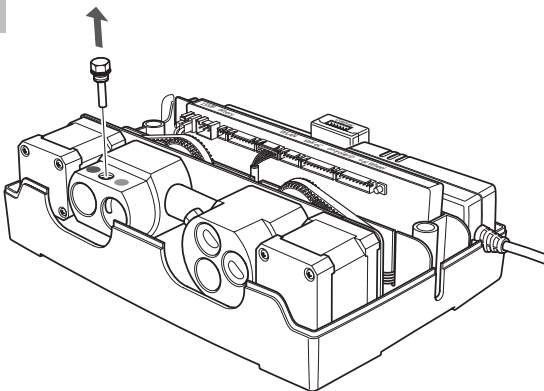
4



Fix the control box in position using the screw kit supplied.

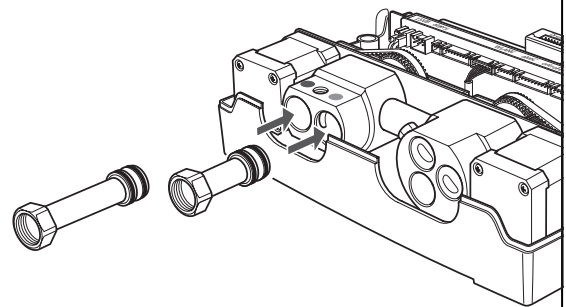


5



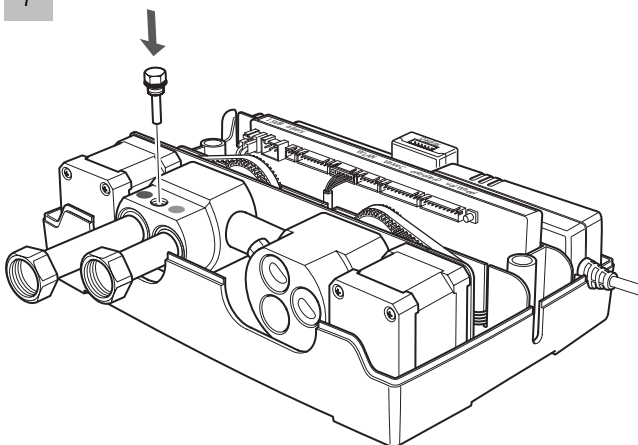
Remove the inlet connectors' retaining bolt.

6



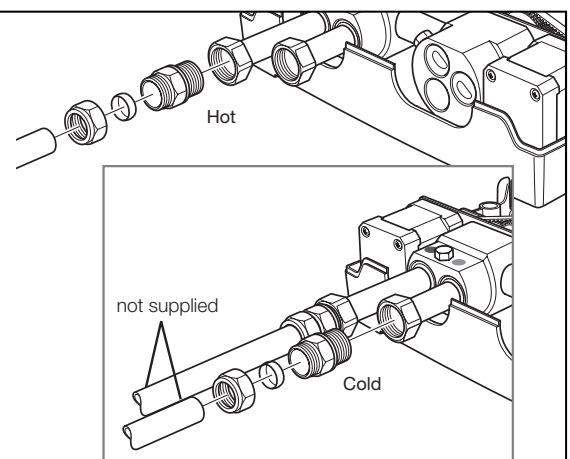
Fully insert the inlet connectors into the inlet valves (one long and one short connector).

7



Re-insert the inlet connectors retaining bolt.

8



- **Important:** Flush through the pipework before connection.
- Filter screen for inlet is highly recommended.

Attach the NPT adaptors to the hot & cold water supply connections.

aquatica®

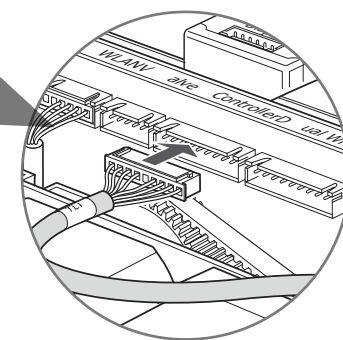
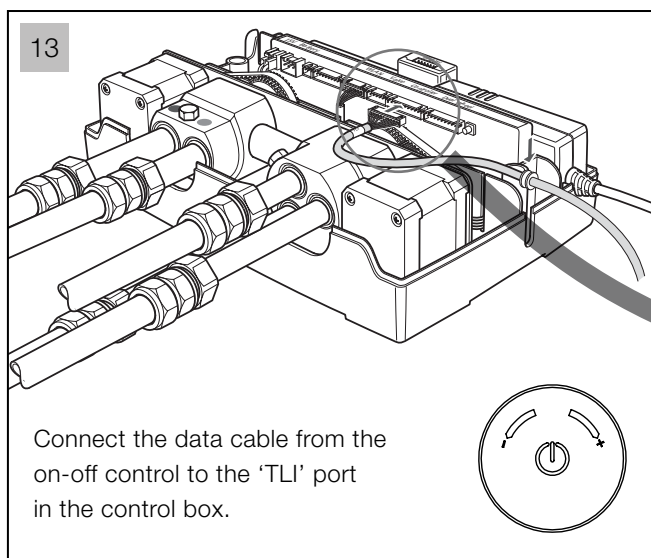
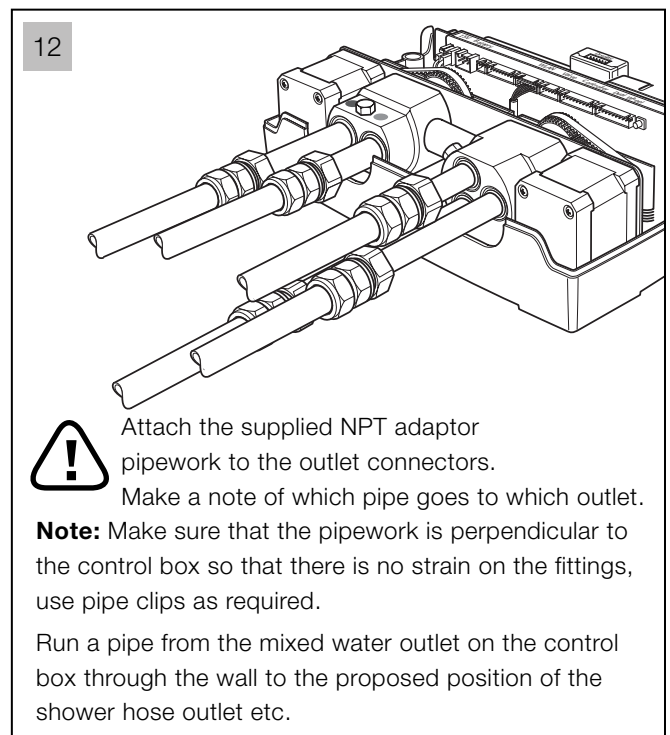
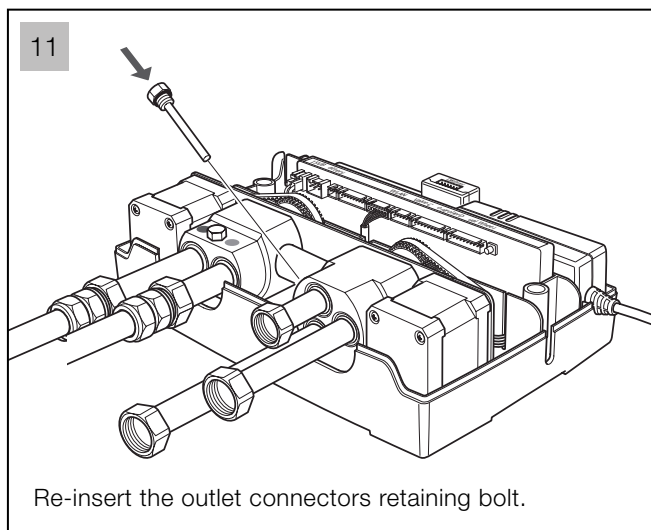
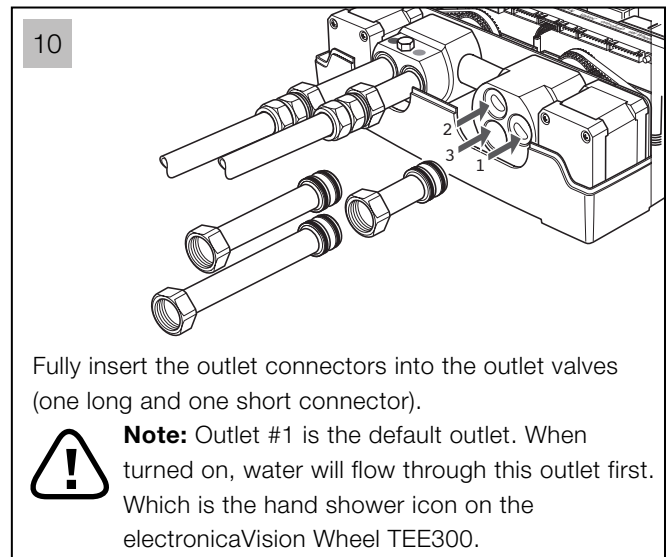
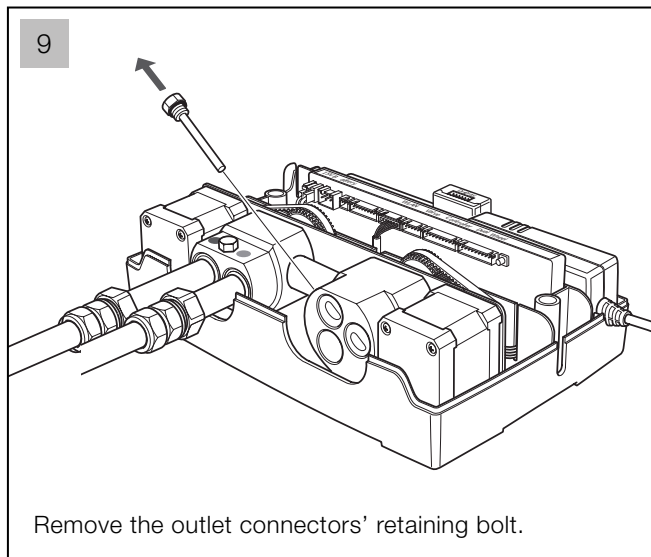
Function : Form : Fashion

Multiplex Trio

Shower Control

Multiplex Trio Three Outlet

Thermostatic Control Mixer INSTALLATION SEQUENCE continued



Multiplex Trio

Shower Control

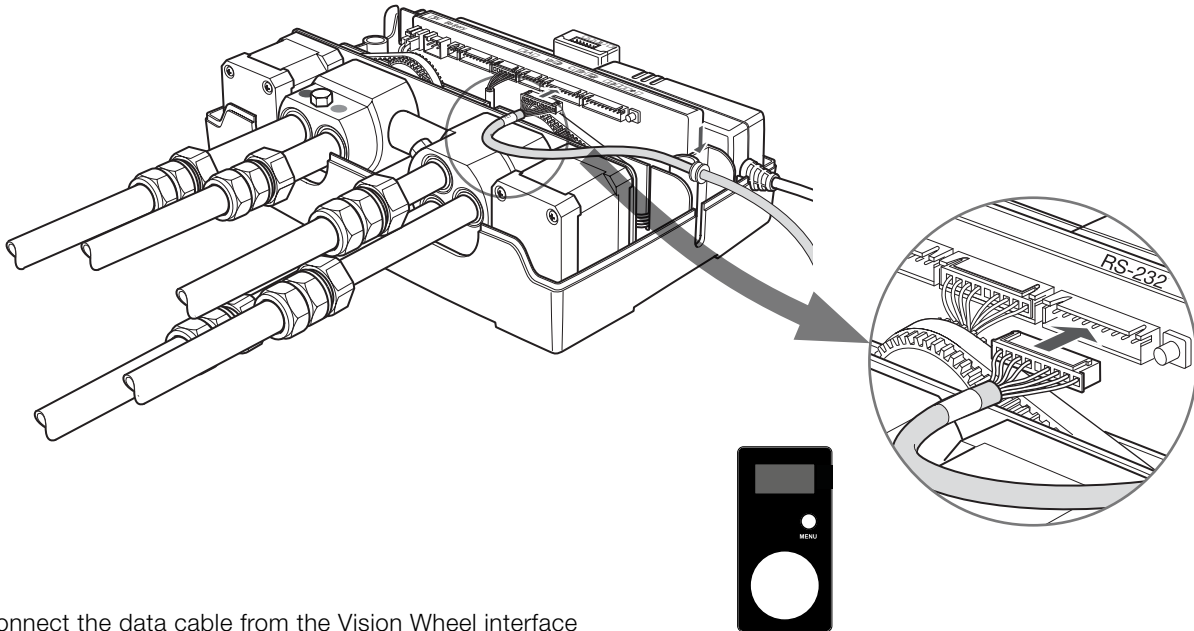
aquatica®

Function : Form : Fashion

Multiplex Trio Three Outlet

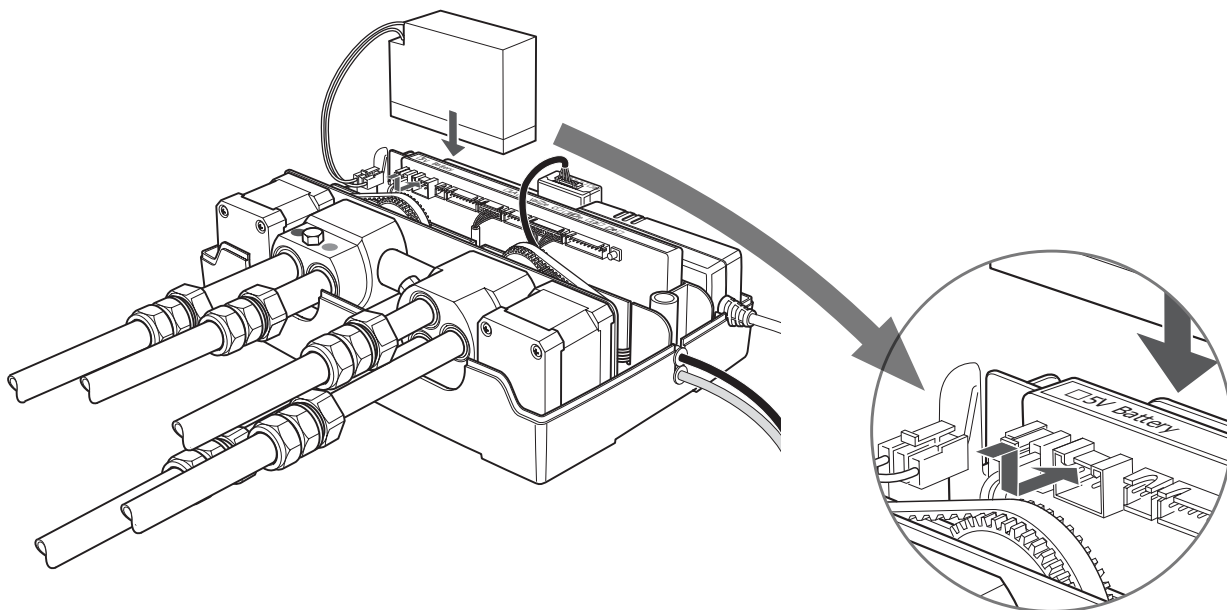
Thermostatic Control Mixer INSTALLATION SEQUENCE continued

14 Connect Vision Wheel interface control data cable



Connect the data cable from the Vision Wheel interface connection in the "RS-232" port in the control box.

15 Connect the back-up battery



Connect the battery cable to the "Battery for battery back-up" connection and place the battery in the compartment.

aquatica®

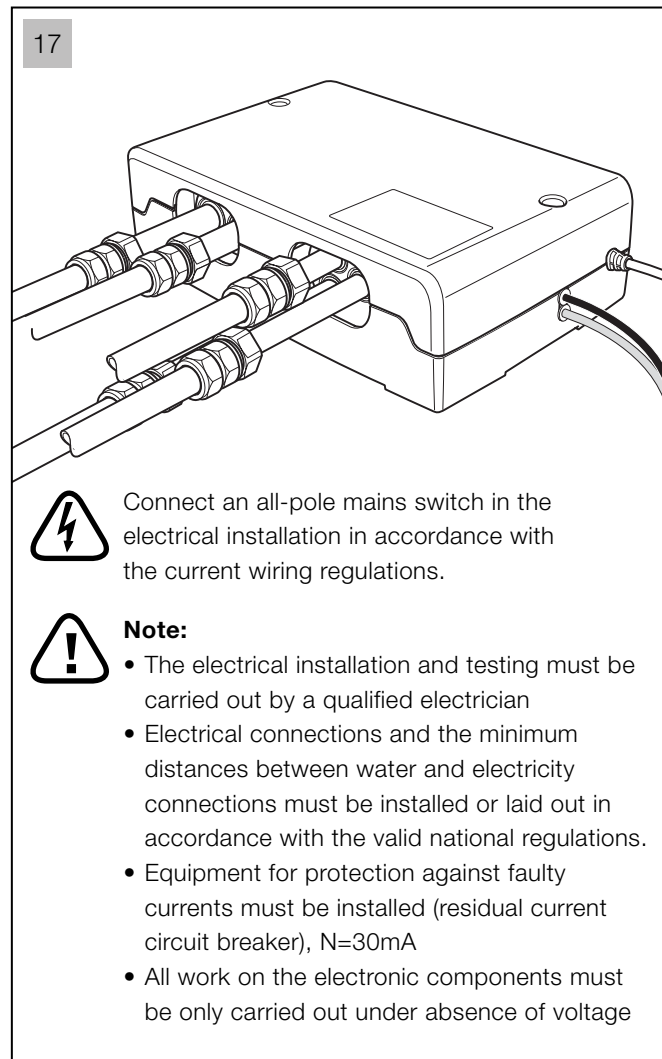
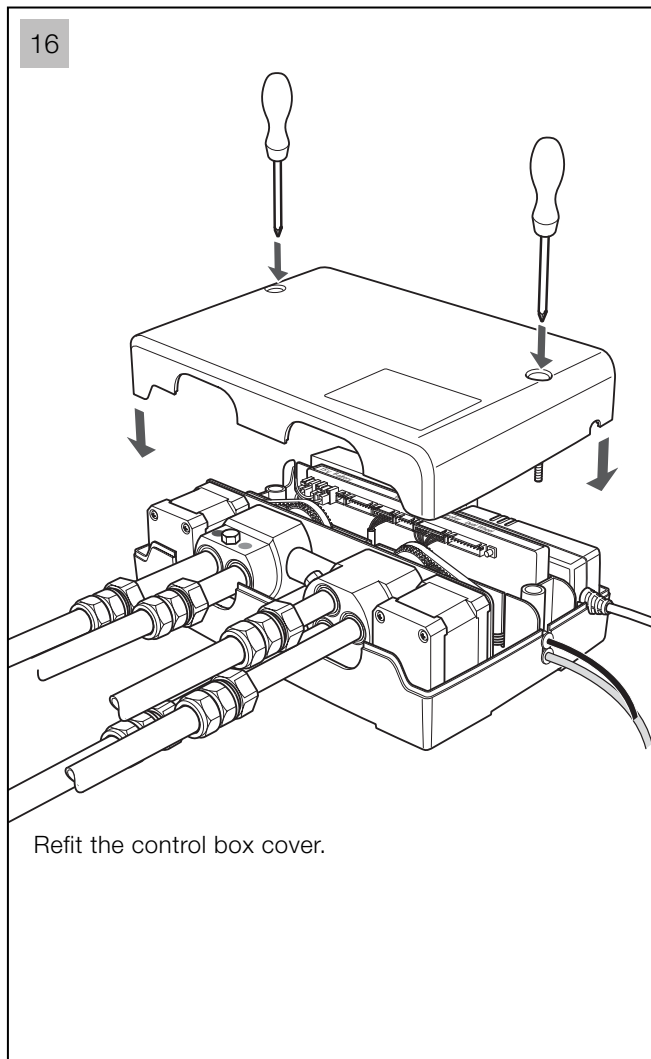
Function : Form : Fashion

Multiplex Trio

Shower Control

Multiplex Trio Three Outlet

Thermostatic Control Mixer **INSTALLATION SEQUENCE** continued



Multiplex Trio

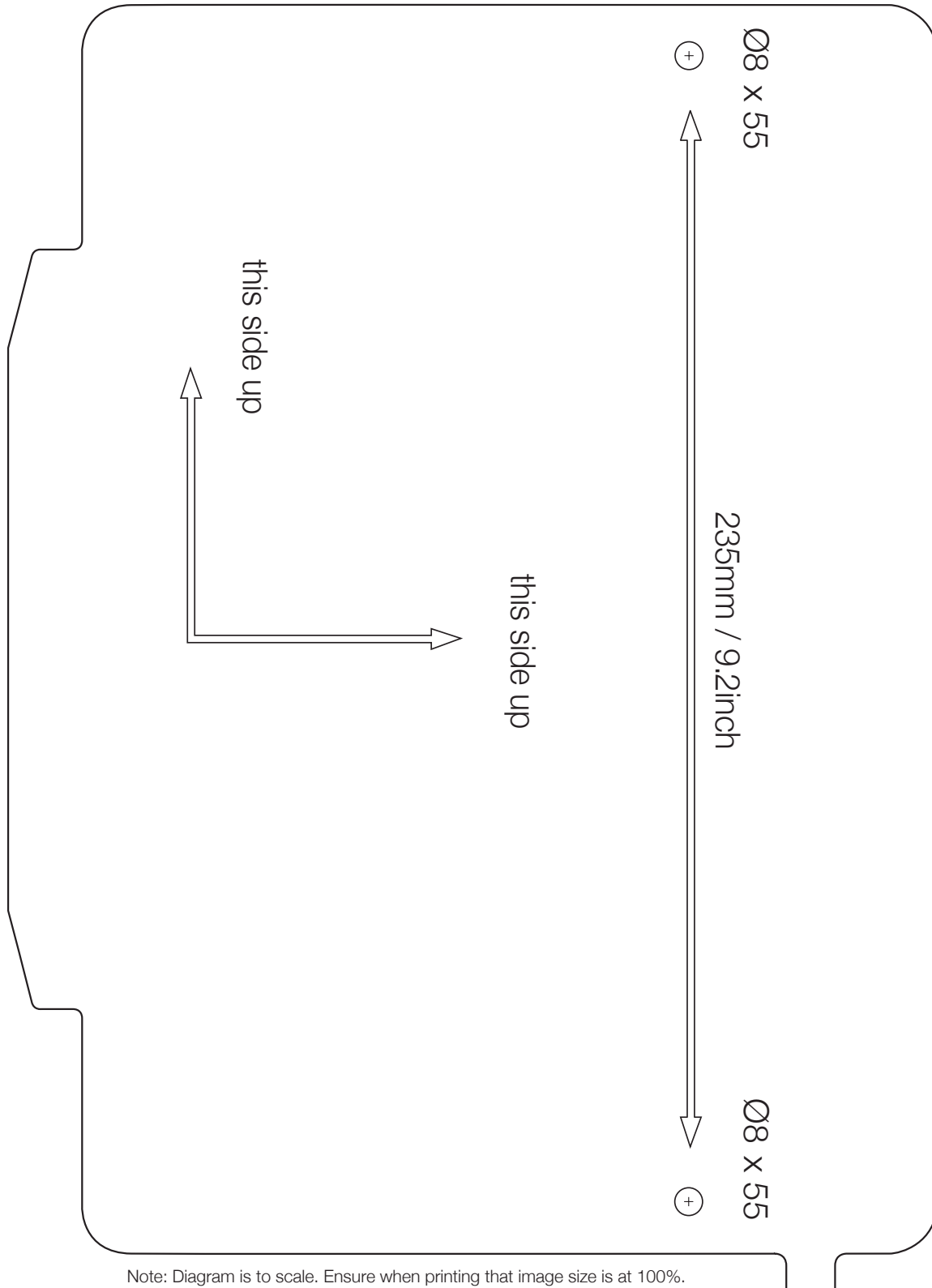
Shower Control

aquatica®

Function : Form : Fashion

Multiplex Trio Three Outlet

Thermostatic Control Mixer INSTALLATION SEQUENCE continued



Note: Diagram is to scale. Ensure when printing that image size is at 100%.

aquatica®

Function : Form : Fashion

aquatica®

Function : Form : Fashion



CE

Aquatica Plumbing Europe LTD
Dzirnava iela 73-2, Riga, Latvia
13
EN 14516
CL1
CA-DA